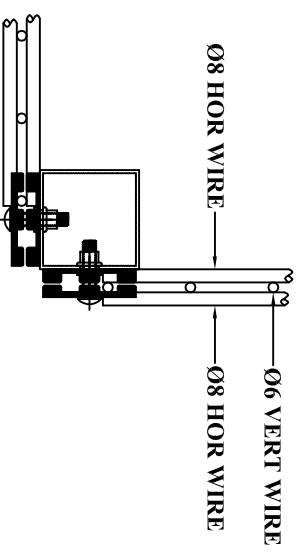


STANDARD INTERMEDIATE POST CONFIGURATION



STANDARD CORNER POST CONFIGURATION

DWG No - NK / A / BSP / 2

THIS DRAWING IS A TYPICAL REPRESENTATION AND MUST NOT BE SCALED.

Belfast office
40 Talcock Road
Carrickfergus
Co. Antrim
BT38 7NU
t: 028 9335 1172
f: 028 9336 4336
e: mail@nkfencing.com
w: www.nkfencing.com

Dublin office
Backweston
Laxlip
Co. Dublin
Ireland
t: 01 6269000
f: 01 6245465
e: mail@nkfencing.ie
w: www.nkfencing.com

NKFENCING

© THIS IS THE PROPERTY OF THE NK GROUP AND MUST NOT BE COPIED