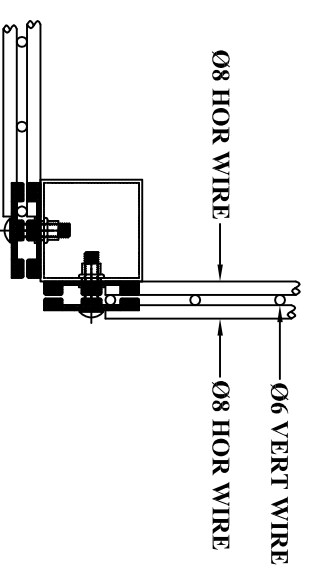


STANDARD INTERMEDIATE POST CONFIGURATION



STANDARD CORNER POST CONFIGURATION

**DWG No - NK / A / BS / 1**

THIS DRAWING IS A TYPICAL REPRESENTATION AND MUST NOT BE SCALED.

**Belfast office**  
 40 Trafalock Road  
 Carrickfergus  
 Co. Antrim  
 BT38 7NU  
 t: 028 9335 1172  
 f: 028 9336 4336  
 e: [mail@nkfencing.com](mailto:mail@nkfencing.com)  
 w: [www.nkfencing.com](http://www.nkfencing.com)

**Dublin office**  
 Backweston  
 Laxlip  
 Co. Dublin  
 Ireland  
 t: 01 6269000  
 f: 01 6245465  
 e: [mail@nkfencing.ie](mailto:mail@nkfencing.ie)  
 w: [www.nkfencing.com](http://www.nkfencing.com)

**NK FENCING**

© THIS IS THE PROPERTY OF THE NK GROUP AND MUST NOT BE COPIED