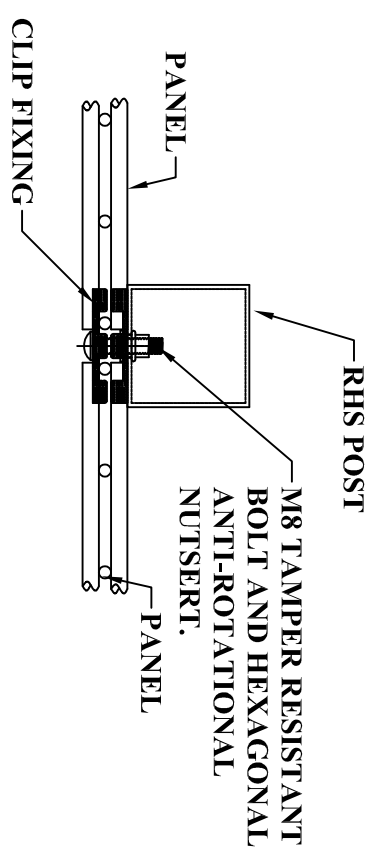
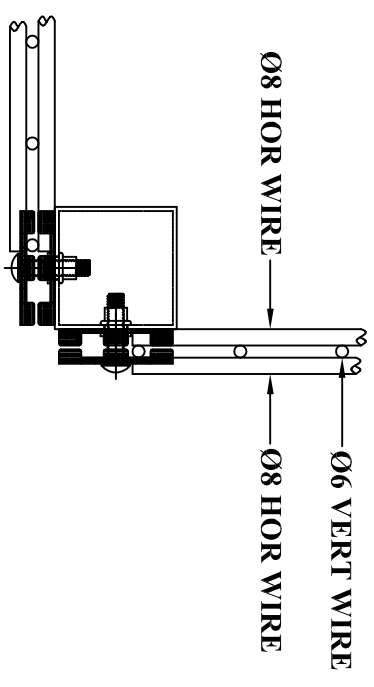


**PLEASE NOTE:
THIS DRAWING IS A TYPICAL REPRESENTATION
FOR FULL SYSTEM DETAIL REFER TO
SPEC GENERATOR / BROCHURE**

NK IBEX® SUPREME - TYPICAL ELEVATION



STANDARD INTERMEDIATE POST CONFIGURATION



STANDARD CORNER POST CONFIGURATION

**CONCRETE
BASES**

THIS DRAWING IS A TYPICAL REPRESENTATION AND MUST NOT BE SCALED.

DWG No - NK / IBX / S / 1

Ballinacorney office
40 Talbot Road
Carrickfergus
Co. Antrim
BT38 7NU
t: 028 9395 1172
f: 028 9396 4386
e: mail@nkfencing.com
w: www.nkfencing.com

Dublin office
Beechwood
Leixlip
Co. Dublin
Ireland
t: 01 6289000
f: 01 6245465
e: mail@nkfencing.ie
w: www.nkfencing.com

NKFENCING

© THIS IS THE PROPERTY OF THE NK GROUP AND MUST NOT BE COPIED